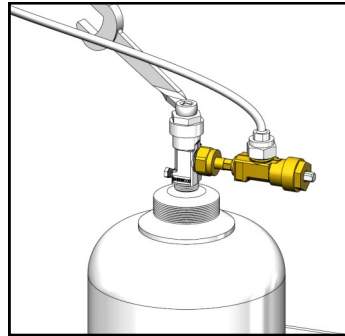


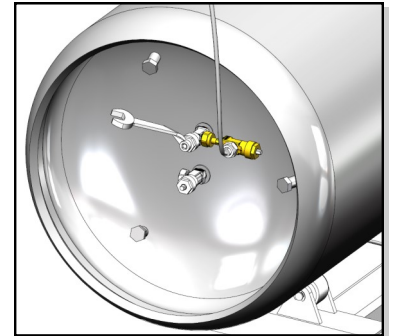
Hydro Instruments offers a variety of isolation valve assemblies for use with Chlorine, Sulfur Dioxide, Carbon Dioxide and Ammonia gases. Isolation valves aid in keeping pressurized gas lines safer and easier to use by preventing leaks and preventing moist air from entering and corroding manifolds.

Features

- Modified Sherwood valve to connect with capture nut
- Gasket seal
- Usable with upright cylinders and ton containers using various valve types
- CGA #660 outlet connection
- Works with Hydro Instruments flexible connectors
- IVH-200-500 rated for liquid service. Threaded types rated for gas service.



IVH-200-500 on 150 lbs. upright cylinder with flexible connector.

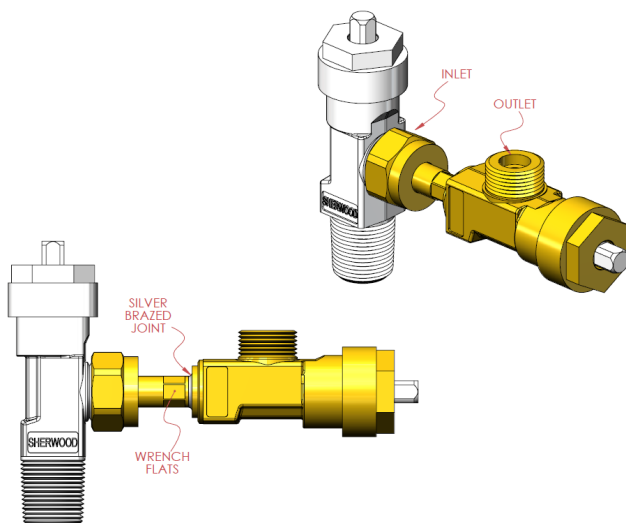


IVH-200-500 on ton container with flexible connector.

The IVH-200-500 is securely attached to the host valve using a capture nut with a gasket seal. A flexible connector is used to connect the outlet of the isolation valve assembly to a pressure manifold or wall mounted vacuum regulator. The IVH-200-500 isolation valve utilizes a modified industry standard gas cylinder valve. Rated to 500 PSI (34.5 bar) maximum working pressure, are capable of up to 2,000 cycles and can be easily serviced; making them durable and great for continuous duty.

Model	Inlet Threads	Joint
IVH-200-500	CGA #660	Silver braze
IVH-200-500-AUS	BSP	Threaded
IVH-200-500-BSW	BSW	Threaded

IVH-200-500
Silver brazed joint between adapter and valve



IVH-200-500-AUS and IVH-200-500-BSW
Threaded joint between adapter and valve

