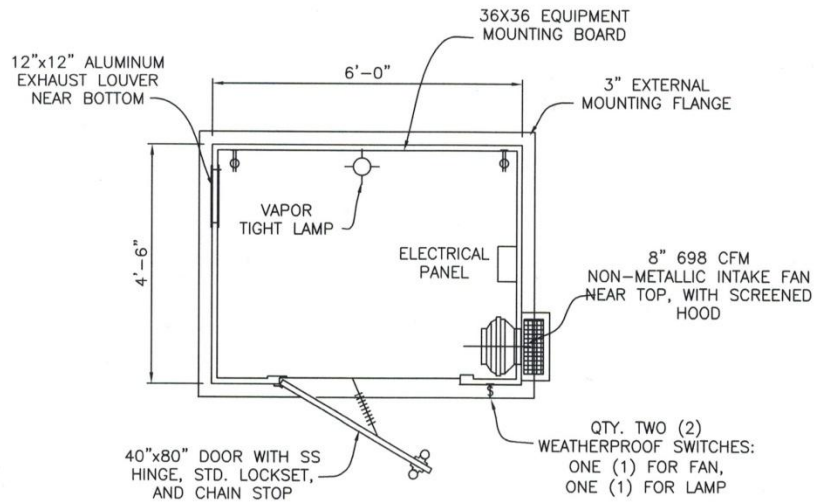
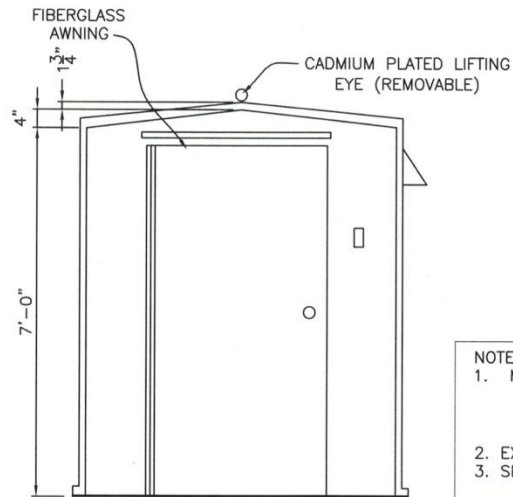


Fiberglass Shelter

Standard Drawing
Model # GTI-SH-5472
(4' 6" x 6')



PLAN



- NOTES:
- MATERIALS OF CONSTRUCTION:
1/8" THK FIBERGLASS SKINS W/1" THK POLYISOCYANURATE FOAM (R=6.7) INSULATION CORE.
 - EXTERIOR & INTERIOR WHITE GEL COAT.
 - SEE CAD-Std Panel FOR ELECTRICAL PANEL DETAIL.

ELEVATION



P.O. BOX 681625
 HOUSTON, TX 77268-1625
 Tel: 281-370-3425
 Fax: 281-370-3571
 Toll Free: 800-370-4410
 www.globaltreat.com

FIBERGLASS SHELTER STANDARD SPECIFICATIONS

The SHELTER building shall be molded fiberglass construction, factory pre-assembled to make a bonded unit with no external seams or joint covers. The walls and roof shall be integral. There shall be a three-inch wide mounting flange around the entire lower perimeter (Specify external or internal).

The walls and roof shall be of sandwich construction consisting of 1/8th inch thick fiberglass skins and one inch thick rigid polyisocyanurate foam core (R Value = 6.7). The door shall be of fiberglass sandwich construction 1-3/4 inches thick.

The fiberglass laminate shall consist of polyester resin reinforced with a minimum of 25% by weight E-Glass. The minimum physical properties of the laminate shall be:

Tensile Strength	14,000 psi	(ATSM D638)
Flexural Strength	25,000 psi	(ASTM D790)
Flexural Modulus	1,000,000 psi	(ASTMD790)

The SHELTER shall be designed to withstand wind and snow loads in accordance with the universal building code (UBC)

Both the exterior and interior of the SHELTER shall be finished in white polyester gel coat.

The SHELTER shall be furnished with the following standard equipment and accessories:

- Pre-wired using 12 ga. wiring in UL listed non-metallic flexible, liquid tight conduit
- 125A, main lug, 8 branch circuit panel in NEMA 3R thermoplastic enclosure
- Duplex outlets (115V)
- Interior vapor-resistant light
- Non-metallic intake or exhaust fan with screened hood
- Outside weatherproof switch for fan and light
- Fixed ventilation louver
- Locking door knob
- Cadmium plated lifting eye
- Door gasket
- Spring cushioned crash stop on door
- Fiberglass awning above door
- Equipment mounting board laminated in wall with FRP
- 1" Polyisocyanurate foam insulation core

The supplier shall submit engineering drawings for approval. As a minimum, the drawings shall show the configuration of the SHELTER with overall dimensions, location of the door, louver, fan, equipment board and electrical components including a wiring schematic.

WARRANTY

GTI warrants its shelters to be free from defects in workmanship or materials and will repair or replace at its sole discretion F.O.B. place of delivery, within a period of one year after date of shipment, any shelter proven to be other than warranted, liability hereunder is limited to repair or replacement only and does not include labor, installation cost, or indirect or consequential damages of any nature. Local codes may apply and should be complied with where applicable in shelter installations.

OPTIONS:

DOORS & HARDWARE:

- Window in Door (12"x18") – Wire Reinforced Glass or Polycarbonate
- Double Doors 5' or 6'
- Panic Hardware (Aluminum or Stainless Steel)
- 2-Point Latch (Stainless Steel)
- Door Sweeps
- Door Closer

ALTERATIONS:

- Fire Retardant Construction – Class 1 (Flame Spread 25 or Less)
- Pre-drilled Flange
- Inside Mounting Flange
- ¼" PVC Foam Flange Gasket
- Partition (Wood Encapsulated in FRP)
- FRP Floor
- Mounting Channel – Galvanized (Up to 6' Long)
- Mounting Channel – FRP (Up to 6' Long)

HVAC:

- 12" x 12" FRP Backdraft Louver
- 12" x 12" Motorized Louver
- FRP Corrosion Proof Fan – 146cfm (Additional)
- FRP Corrosion Proof Fan – 623cfm (Additional)
- 1500 Watt Electrical Heater
- Heater Thermostat Calibrated in deg. F

LIGHTS & ELECTRICAL:

- Additional Incandescent Vapor Resistant Fixture
- Vapor Resistant Fluorescent Fixture
- Vapor Resistant Fluorescent Fixture (Low Temp Service)
- Extra Duplex Outlets
- Micro Switch – Door Activated