



# Diaphragm Protected Pressure Switch

The PSL-J6-MG is a reliable and sensitive pressure switch. Its compact design and combination of set-point sensitivity offers cost-saving solutions for a variety of applications.

The PSL-J6-MG is ideally suited for a wide range of industrial processes such as alarm/shutdown and low/high service pressures.

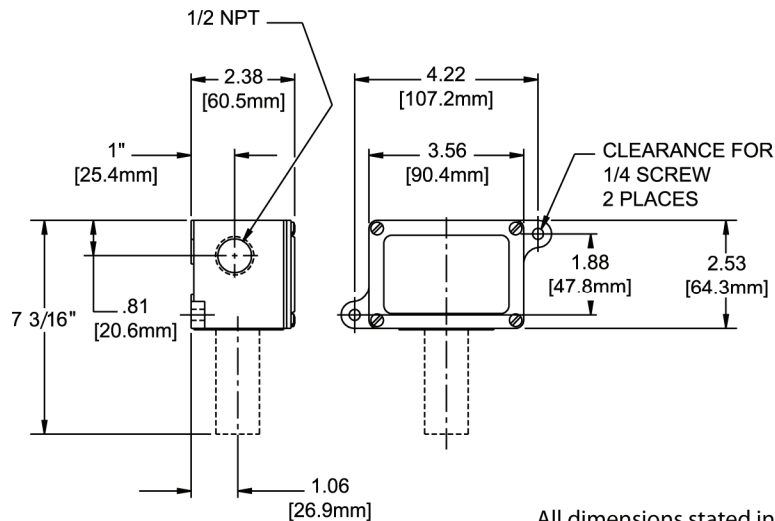
## Features

- Adjustable Range 0 - 200 PSI (13.5 bar)
- SPDT Switch Output
- Tantalum Diaphragm Seal
- Halocarbon filled
- Enclosure Type 4X
- 1/4" NPT Lower Process Connection



## Ordering Information

Product No.	Description	Reading
PSL-J6-MG	Lower Mounted, Diaphragm Protected	Pressure: 0 - 200 PSI (13.5 bar)



All dimensions stated in inches (millimeters)