

HYDRO INSTRUMENTS

TITLE:
One connection, horizontal
pressure manifold for ton
containers (Cl₂ or SO₂) –
Right facing.

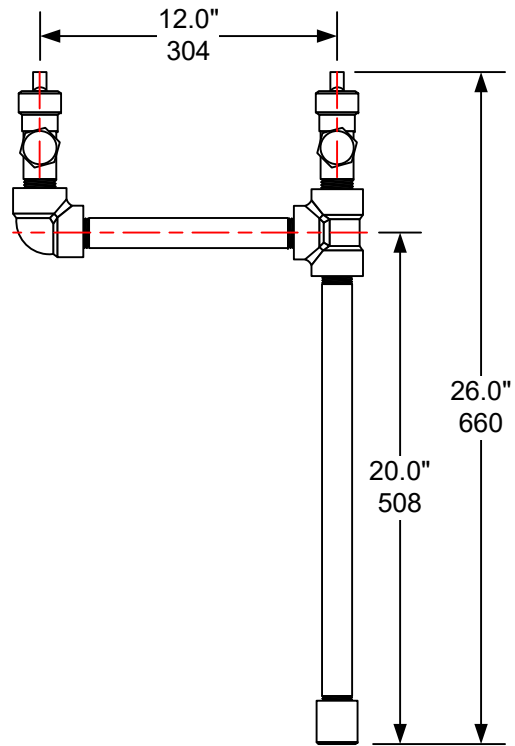
DRAWING:
HMT-121-R_dim

UNITS: Inch
Millimeter

DATE: 9/17/2020

NOTES:

- Measurements are across multiple threaded connections.
Accuracy is approximately $\pm 0.5"$.



HYDRO INSTRUMENTS

TITLE:
One connection, horizontal
pressure manifold for ton
containers (Cl₂ or SO₂) –
Left facing.

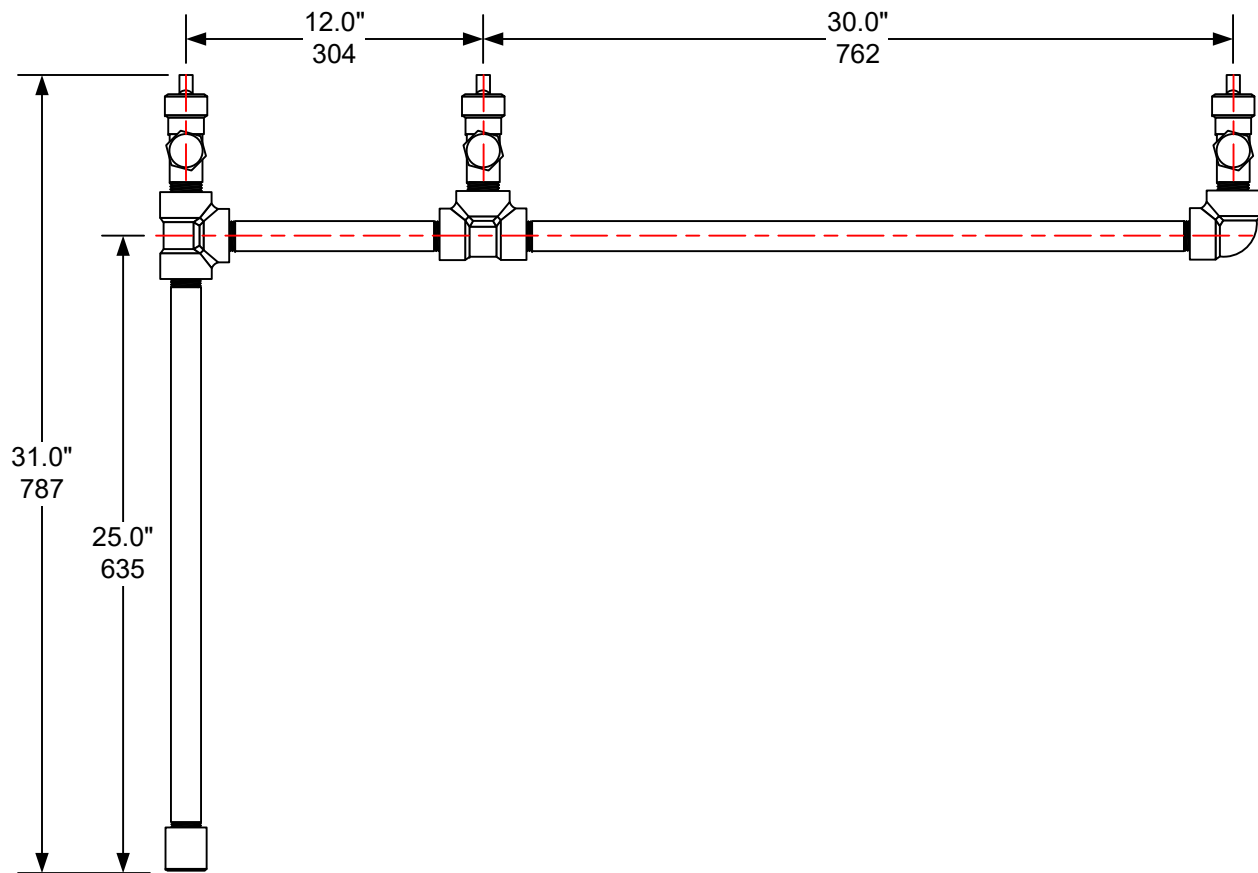
DRAWING:
HMT-121-L_dim

UNITS: Inch
Millimeter

DATE: 9/17/2020

NOTES:

1. Measurements are across multiple threaded connections.
Accuracy is approximately ±0.5".



HYDRO INSTRUMENTS

TITLE:
Two connection, horizontal
pressure manifold for ton
containers (Cl₂ or SO₂) –
Right facing.

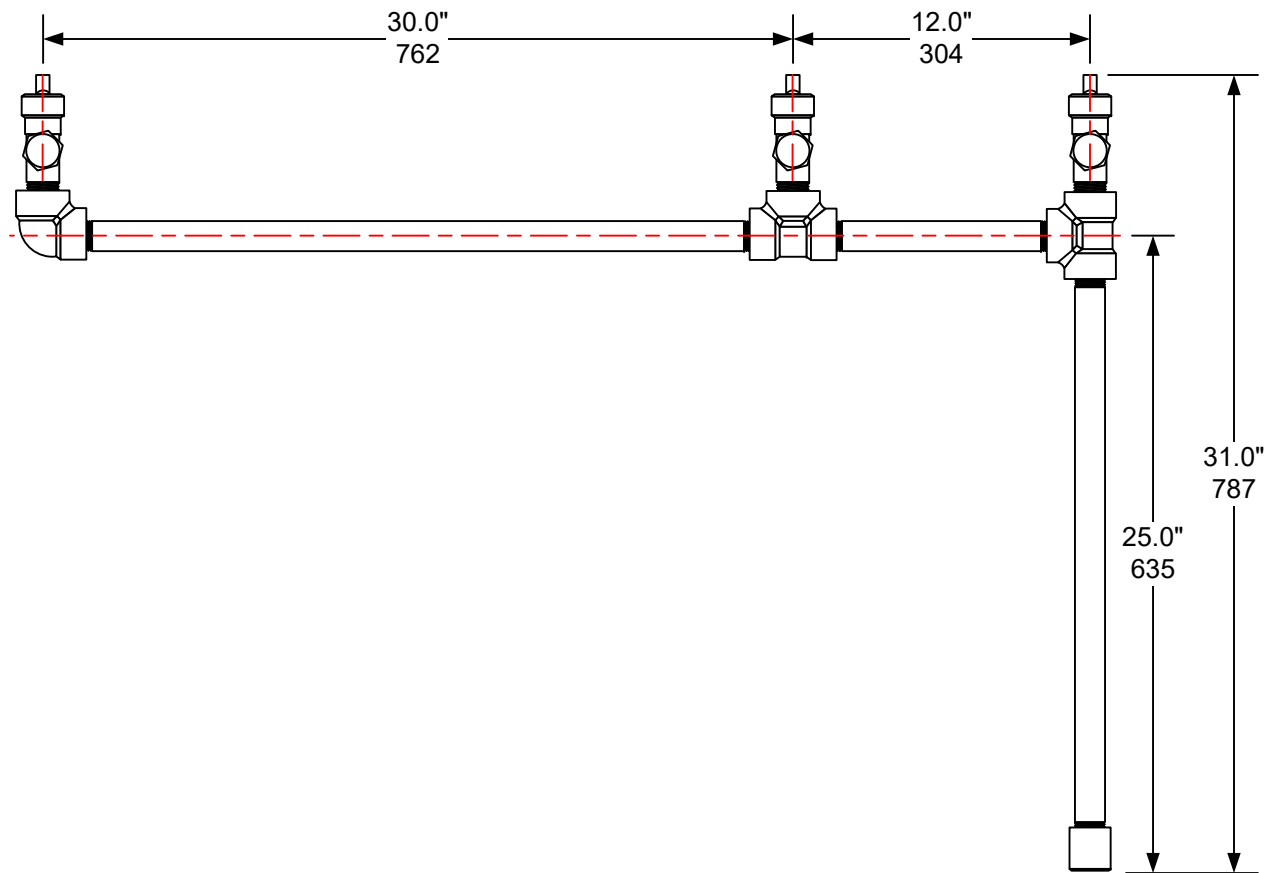
DRAWING:
HMT-122-R_dim

UNITS: Inch
Millimeter

DATE:
9/17/2020

NOTES:

1. Measurements are across multiple threaded connections.
Accuracy is approximately $\pm 0.5"$.



HYDRO INSTRUMENTS

TITLE:
Two connection, horizontal
pressure manifold for ton
containers (Cl₂ or SO₂) –
Left facing.

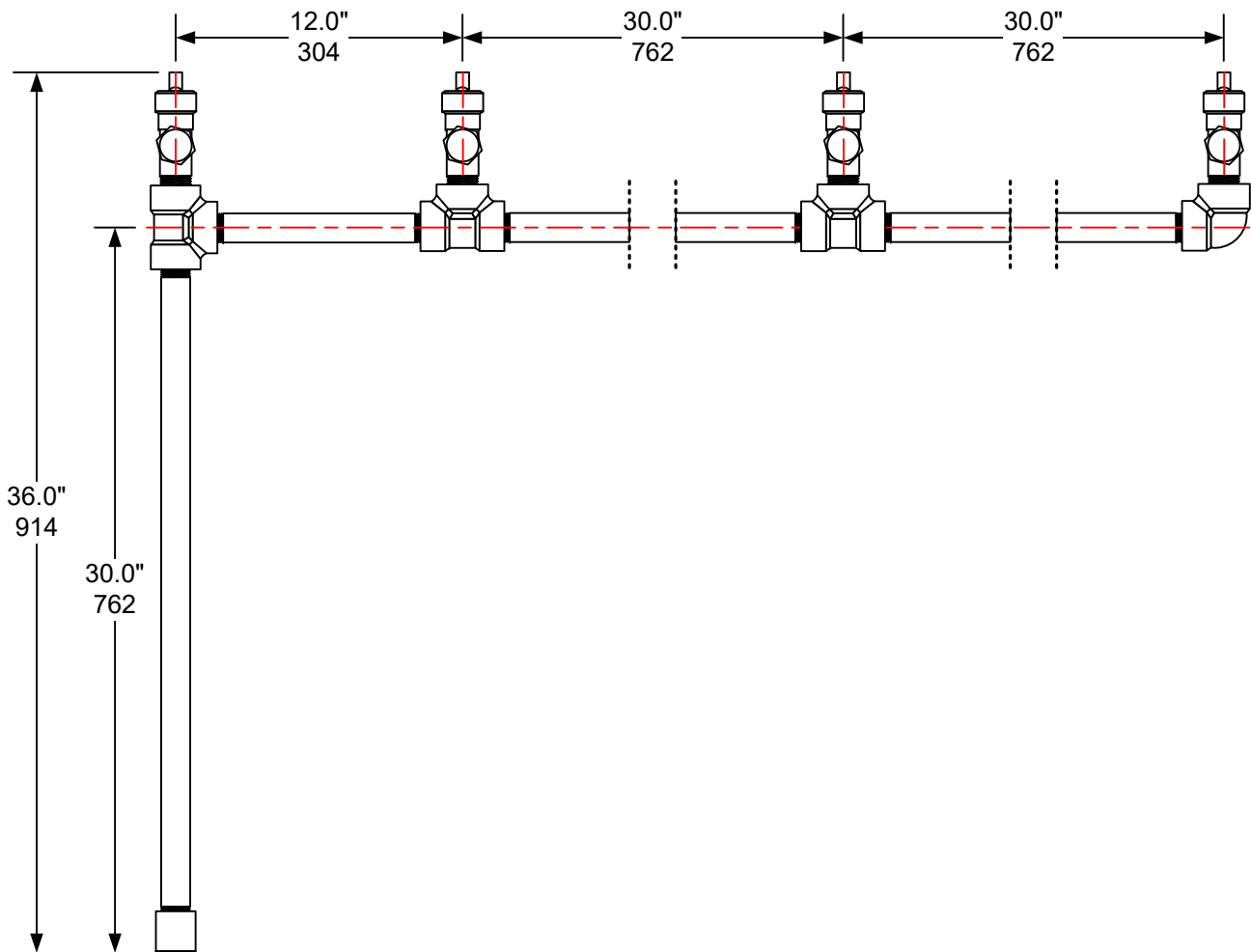
DRAWING:
HMT-122-L_dim

UNITS: Inch
Millimeter

DATE:
9/17/2020

NOTES:

1. Measurements are across multiple threaded connections.
Accuracy is approximately ±0.5".



HYDRO INSTRUMENTS

TITLE:
Three connection, horizontal
pressure manifold for ton
containers (Cl₂ or SO₂) –
Right facing.

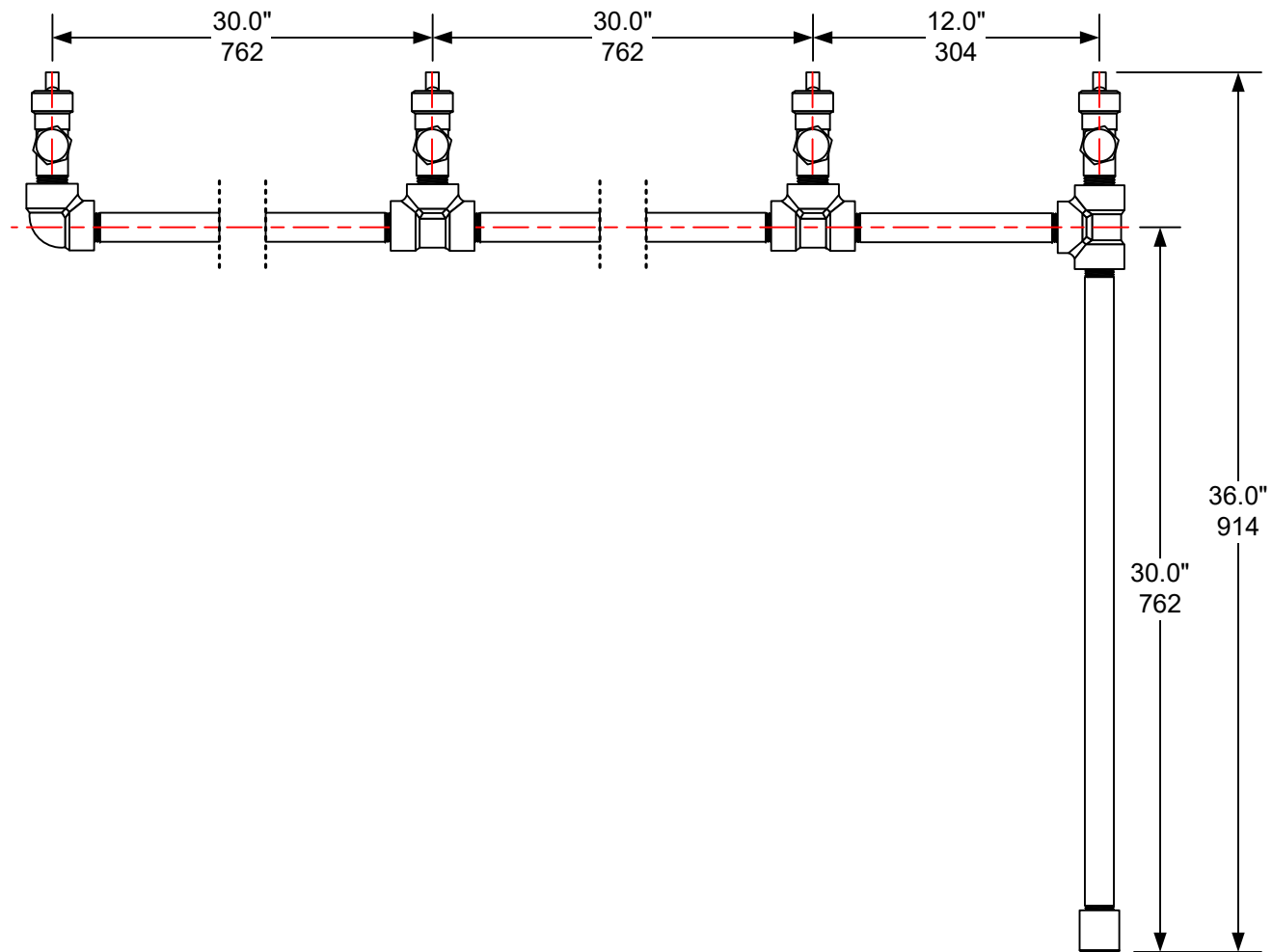
DRAWING:
HMT-123-R_dim

UNITS: Inch
 Millimeter

DATE: 9/17/2020

NOTES:

1. Measurements are across multiple threaded connections.
Accuracy is approximately ±0.5".



HYDRO INSTRUMENTS

TITLE:
 Three connection, horizontal
 pressure manifold for ton
 containers (Cl₂ or SO₂) –
 Left facing.

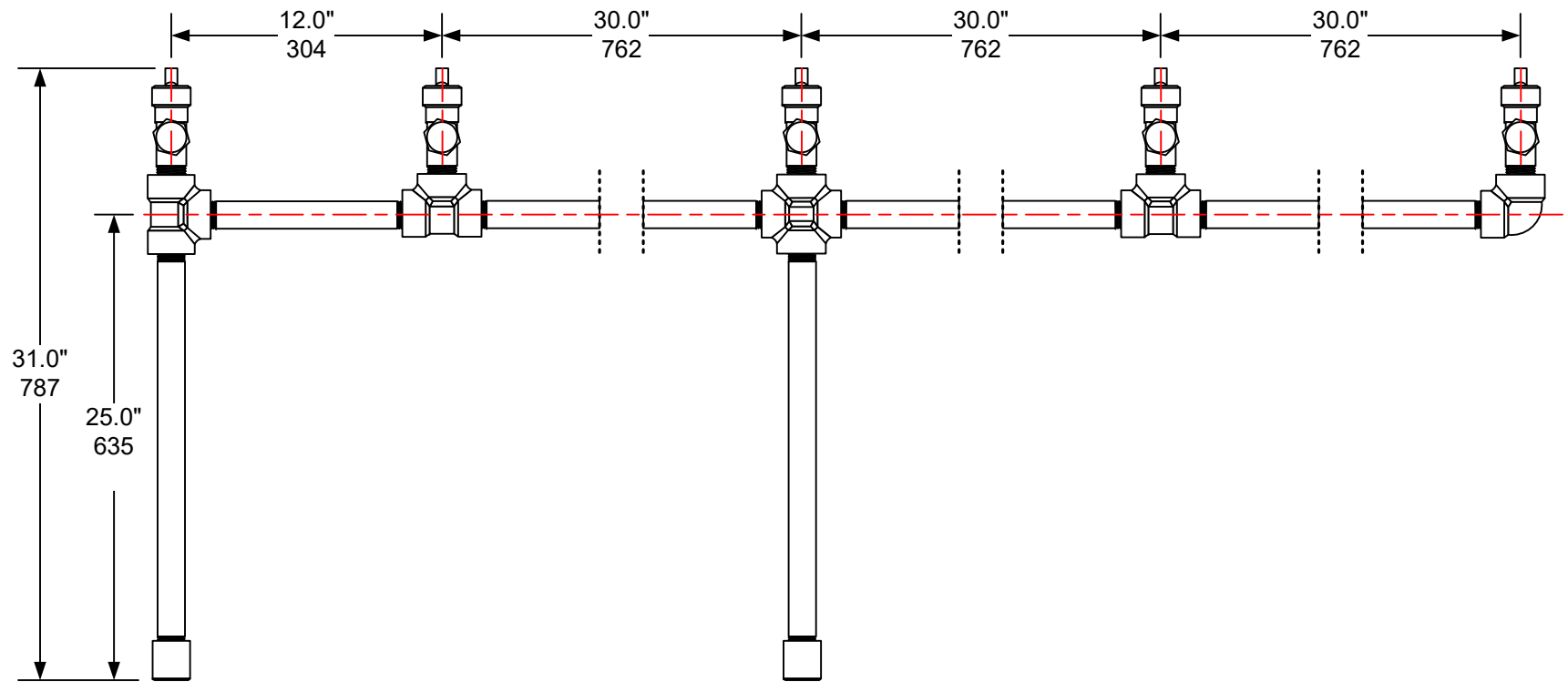
DRAWING:
 HMT-123-L_dim

UNITS: Inch
 Millimeter

DATE:
 9/17/2020

NOTES:

- Measurements are across multiple threaded connections.
 Accuracy is approximately ±0.5".



HYDRO INSTRUMENTS

TITLE:
Four connection, horizontal
pressure manifold for ton
containers (Cl₂ or SO₂) –
Right facing.

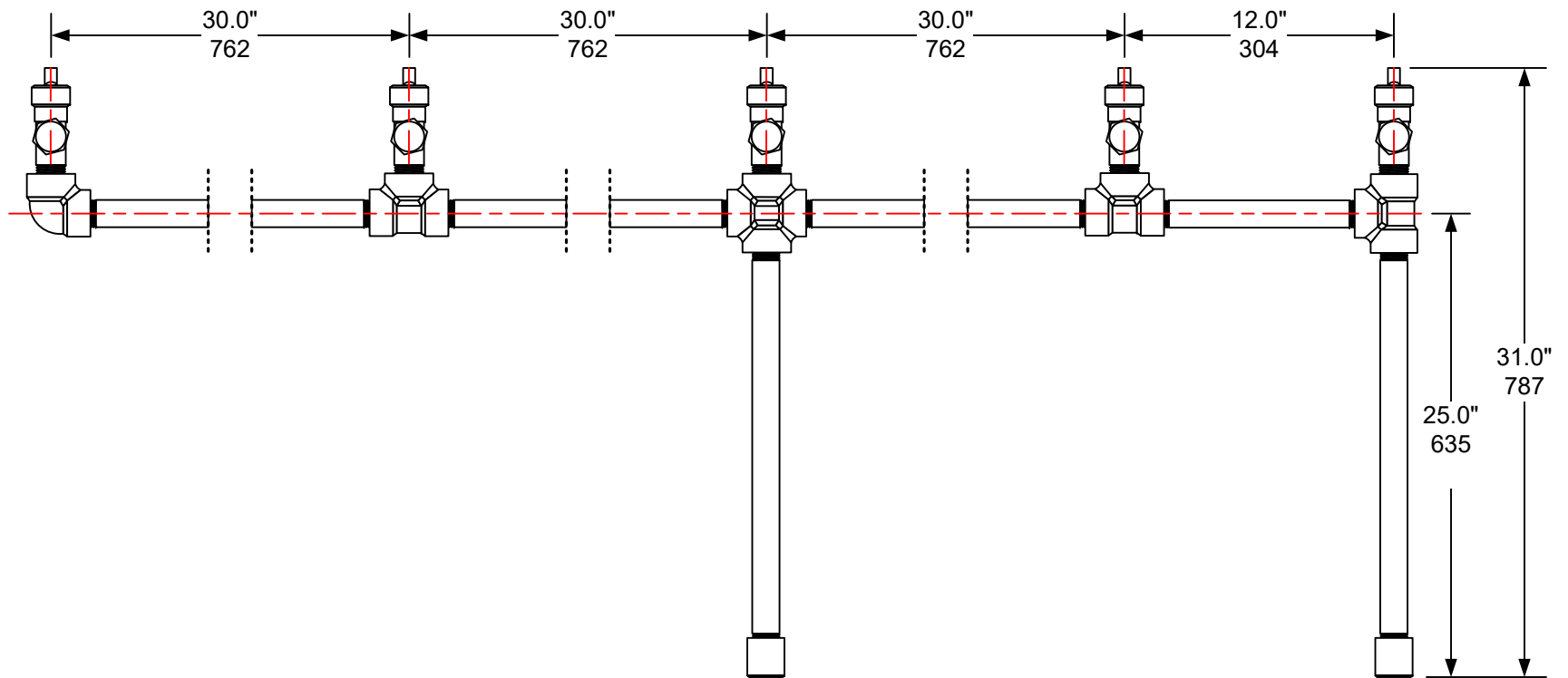
DRAWING:
HMT-124-R_dim

UNITS: Inch
Millimeter

DATE:
9/17/2020

NOTES:

- Measurements are across multiple threaded connections.
Accuracy is approximately ±0.5".



HYDRO INSTRUMENTS

TITLE:
Four connection, horizontal
pressure manifold for ton
containers (Cl₂ or SO₂) –
Left facing.

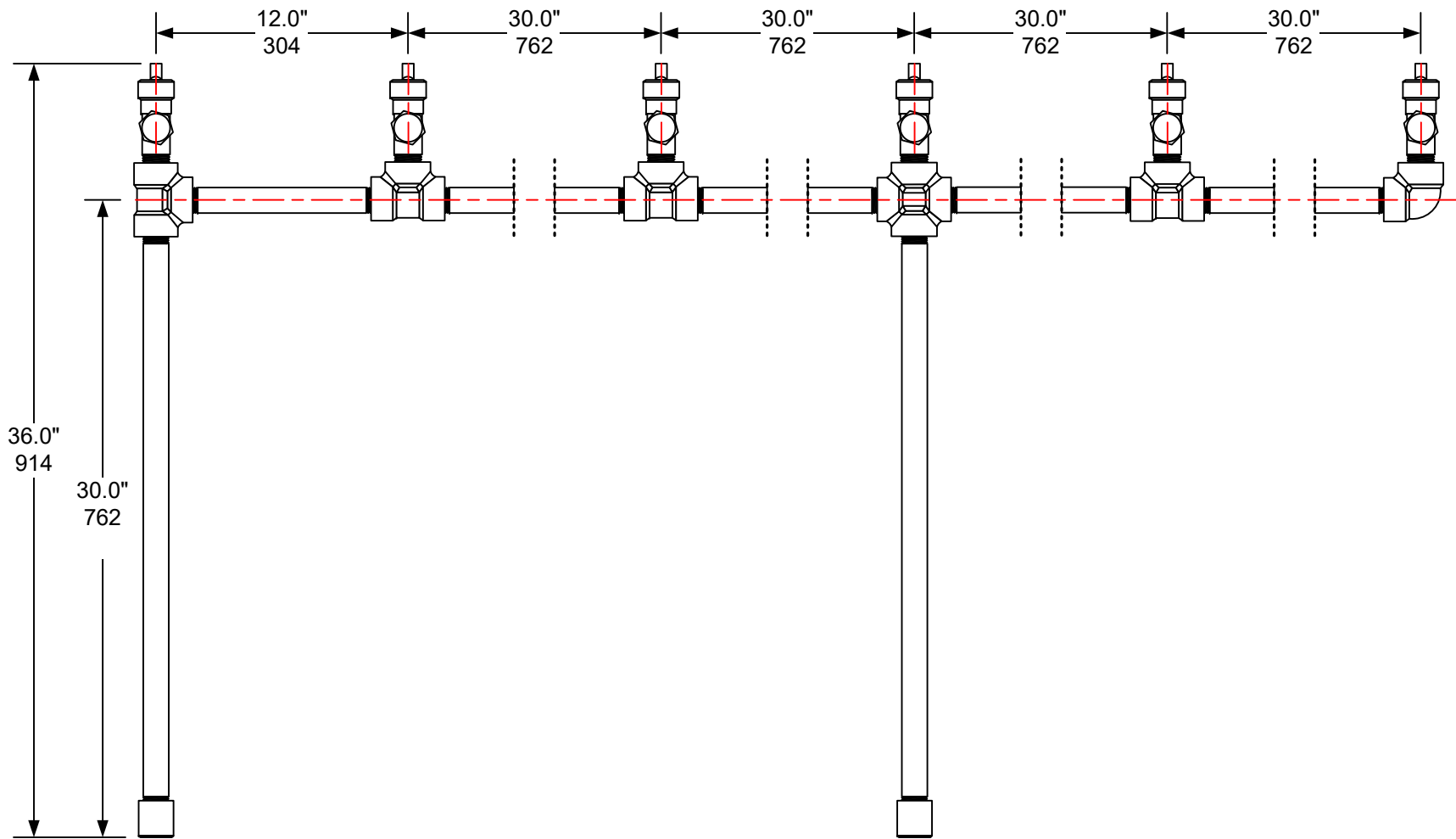
DRAWING:
HMT-124-L_dim

UNITS: Inch
Millimeter

DATE:
9/17/2020

NOTES:

1. Measurements are across multiple threaded connections.
Accuracy is approximately $\pm 0.5"$.



HYDRO INSTRUMENTS

TITLE:
Five connection, horizontal
pressure manifold for ton
containers (Cl₂ or SO₂) –
Right facing.

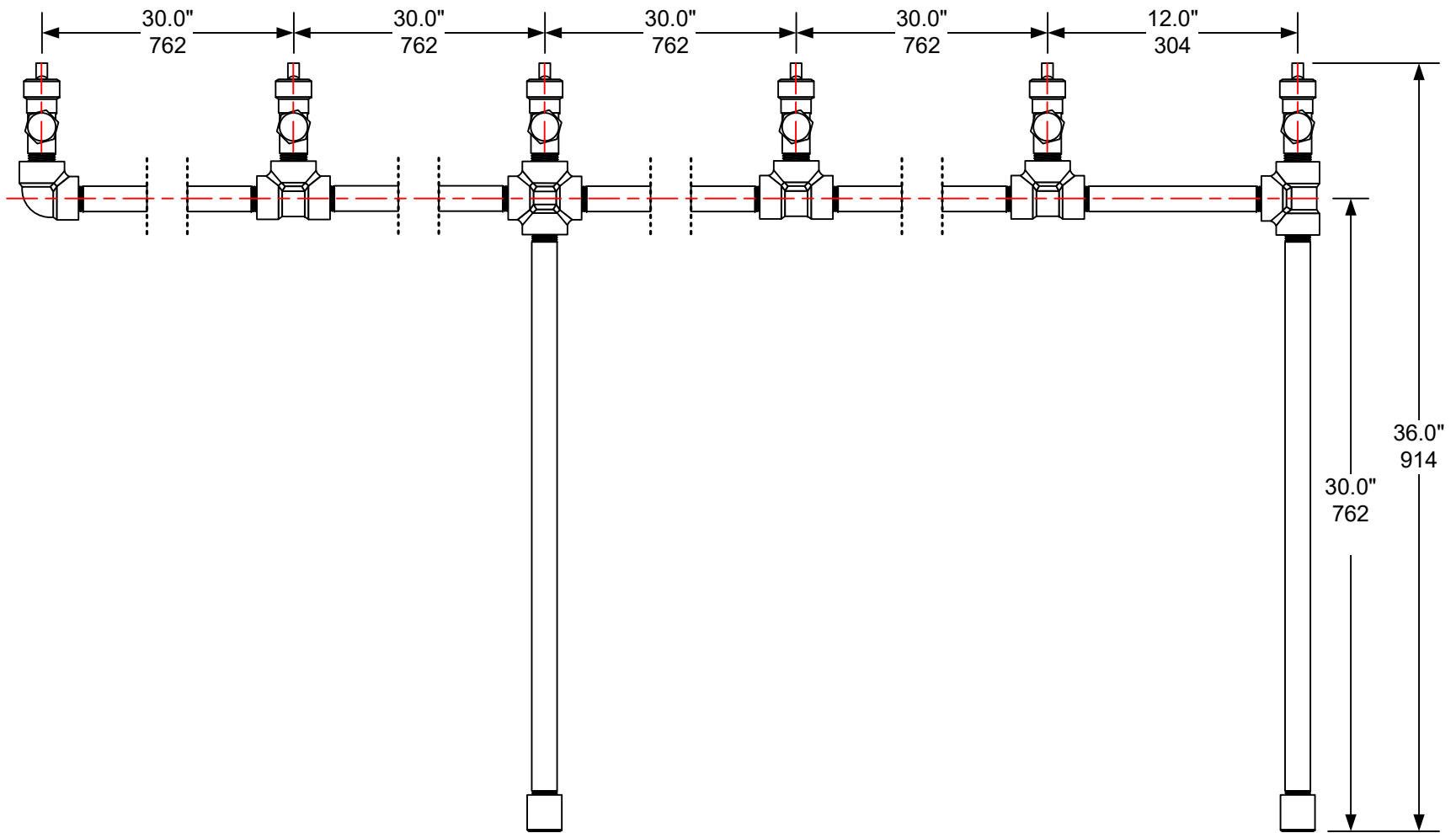
DRAWING:
HMT-125-R_dim

UNITS: Inch
Millimeter

DATE: 9/17/2020

NOTES:

1. Measurements are across multiple threaded connections.
Accuracy is approximately ±0.5".



HYDRO INSTRUMENTS

TITLE:
Five connection, horizontal
pressure manifold for ton
containers (Cl₂ or SO₂) –
Left facing.

DRAWING:
HMT-125-L_dim

UNITS: Inch
Millimeter

DATE: 9/17/2020

NOTES:

1. Measurements are across multiple threaded connections.
Accuracy is approximately $\pm 0.5"$.