

# Chlorine Gas Line Filter

Model #C-282

Used to remove impurities  
in Chlorine Gas



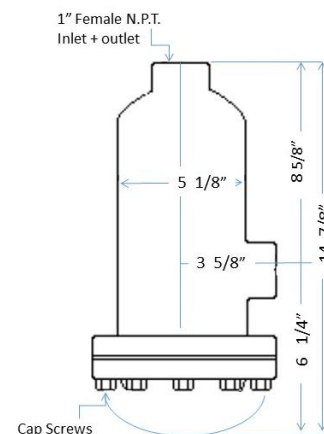
## APPLICATIONS:

- Any installation using one ton chlorine cylinders
- Any installation using evaporators

## Two Chambers:

- Lower chamber acts as a trap for liquid impurities. The sudden enlargement decreases the velocity so that gas is unable to carry entrained droplets of liquid chlorine which is high in Ferric Chloride.
- Upper Chamber has a removable filter cartridge. The filter element is designed so that the Ferric Chloride “plates out” rapidly as it passes through the element. Therefore the filter acts as both a filter and a condensate trap.

Part Number	Description
C-282I	1" FNPT Chlorine Gas Filter
C-282P	Replacement Filter Pad (Set of 6)
C-282G	Replacement Lead Gasket



Bulletin, Model #C-282, Pg 1 of 1, 6/2021

Water Treatment  
Professionals



