



GTI-DWT-10000-1.5
120 GALLON HDPE DOUBLE WALL
VERTICAL TANK 1.9SG

- This tank has a Diameter of 141" and Height of 202".
- Tank Capacity: 10000 Gallons.
- Molded from FDA approved High Density Polyethylene (HDPE).
- Complies with FDA standards 21 CFR 177.1520 (1) 3.1 and 3.2.
- HDPE has a maximum continuous use temperature of 130 F.
- This HDPE tank is approved for potable water.
- Meets ASTM D 1998-06 Wall Thickness Standard Specification for Polyethylene Upright Storage Tanks.
- TRANSLUCENT WHITE in color.
- Type of tank: DOUBLE WALL.
- This is an above ground tank. It is rated for atmospheric pressure only.
- Weight: 4250 pounds.

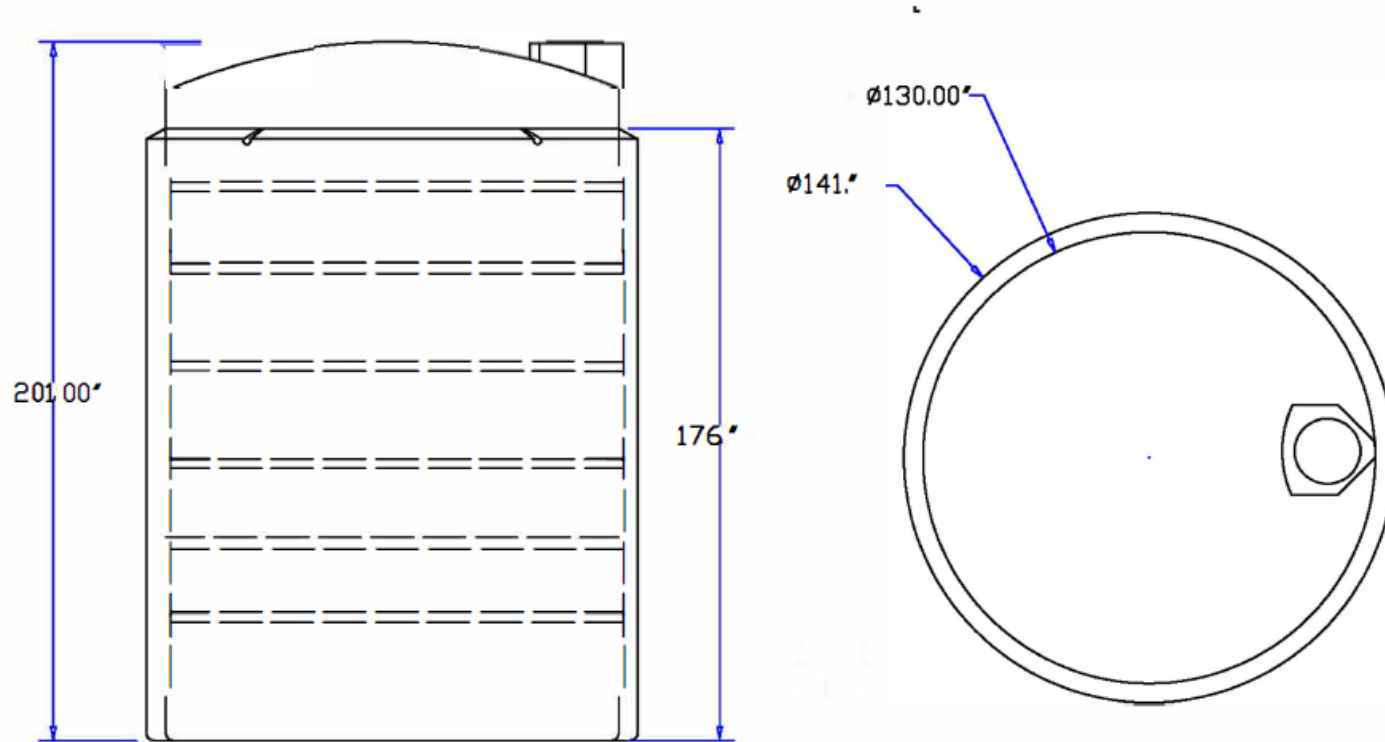
www.GlobalTreat.com

info@globaltreat.com

281-370-3425



GTI-DWT-10000-1.5
120 GALLON HDPE DOUBLE WALL
VERTICAL TANK 1.9SG



www.GlobalTreat.com
info@globaltreat.com
281-370-3425