



GTI-DWT-250-1.9
250 GALLON HDPE DOUBLE WALL
VERTICAL TANK 1.9SG

- This tank has a Diameter of 35" and Height of 86".
- Tank Capacity: 250 Gallons.
- Rated for storage of liquids up to 1.9 specific gravity (15.8 pounds per gallon).
- Molded from FDA approved High Density Polyethylene (HDPE).
- Complies with FDA standards 21 CFR 177.1520 (1) 3.1 and 3.2.
- HDPE has a maximum continuous use temperature of 130 F.
- HDPE tank is approved for potable water.
- Translucent White in color.
- Type of tank: DOUBLE WALL
- This is an above ground tank. It is rated for atmospheric pressure only

www.GlobalTreat.com

info@globaltreat.com

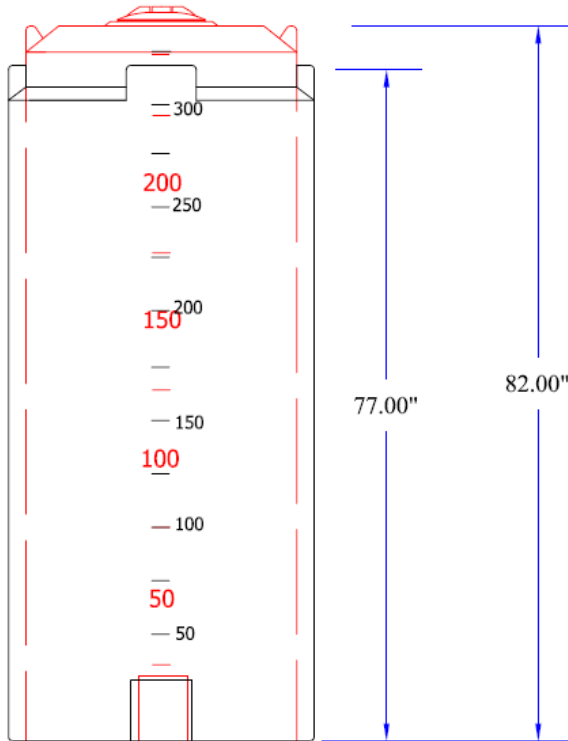
281-370-3425



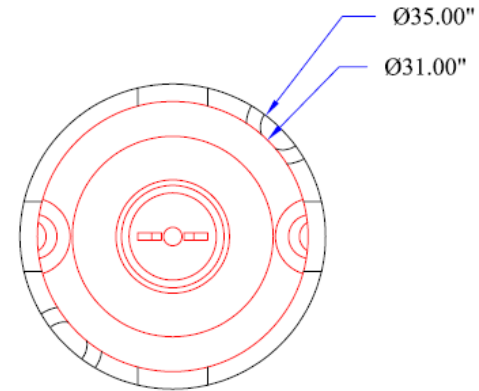
GTI-DWT-250-1.9

250 GALLON HDPE DOUBLE WALL
VERTICAL TANK 1.9SG

SIDE VIEW



TOP VIEW



www.GlobalTreat.com
info@globaltreat.com
281-370-3425