



GTI-DWT-8400-1.5
8400 GALLON HDPE DOUBLE WALL
VERTICAL TANK 1.5SG

- This tank has a Diameter of 141" and Height of 185".
- Tank Capacity: 8400 Gallons.
- Molded from FDA approved High Density Polyethylene (HDPE).
- Complies with FDA standards 21 CFR 177.1520 (1) 3.1 and 3.2.
- HDPE has a maximum continuous use temperature of 130 F.
- HDPE tank is approved for potable water.
- Meets ASTM D 1998-06 Wall Thickness Standard Specification for Polyethylene Upright Storage Tanks.
- WHITE in color.
- Type of tank: DOUBLE WALL.
- This is an above ground tank. It is rated for atmospheric pressure only.
- Weight: 3865 pounds.

www.GlobalTreat.com

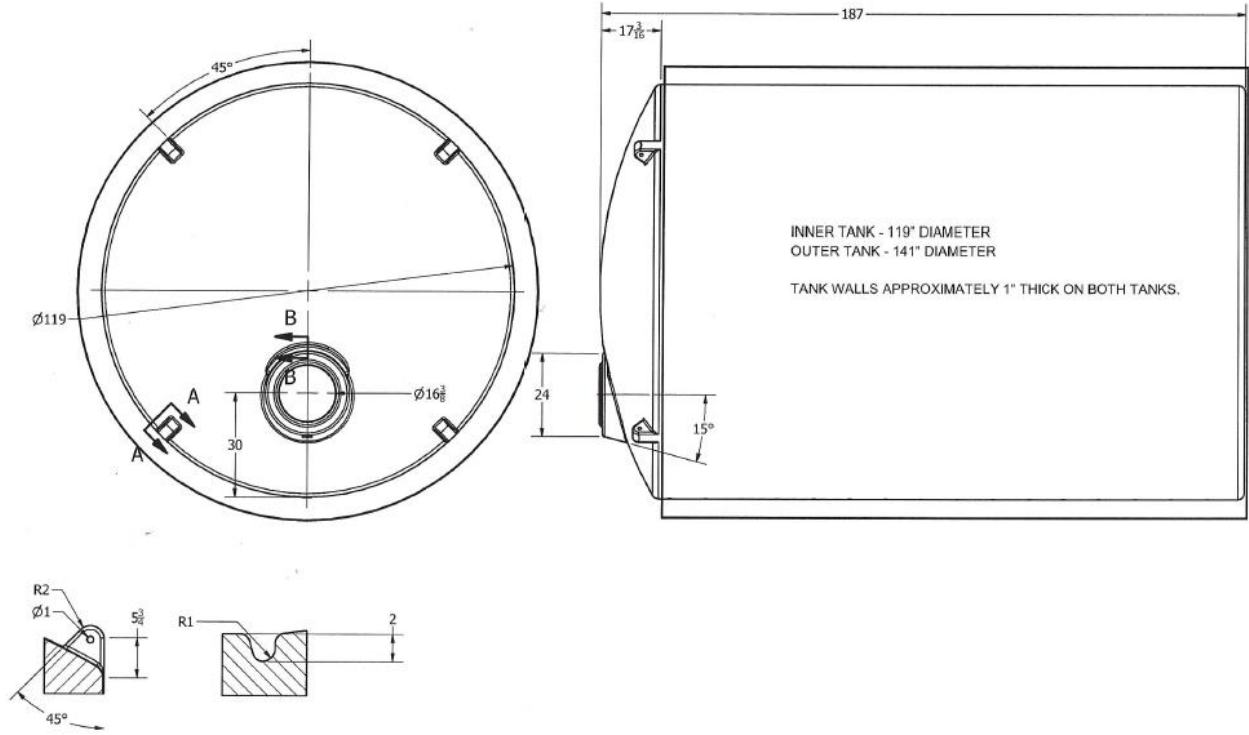
info@globaltreat.com

281-370-3425



GTI-DWT-8400-1.5

8400 GALLON HDPE DOUBLE WALL
VERTICAL TANK 1.5SG



www.GlobalTreat.com
info@globaltreat.com
281-370-3425