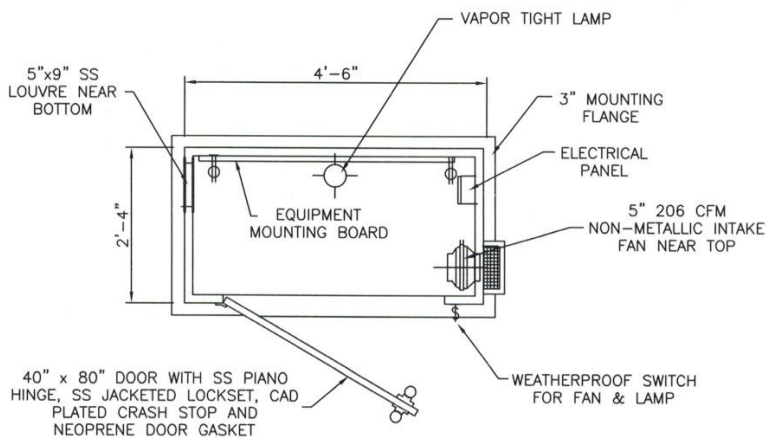


Fiberglass Shelter

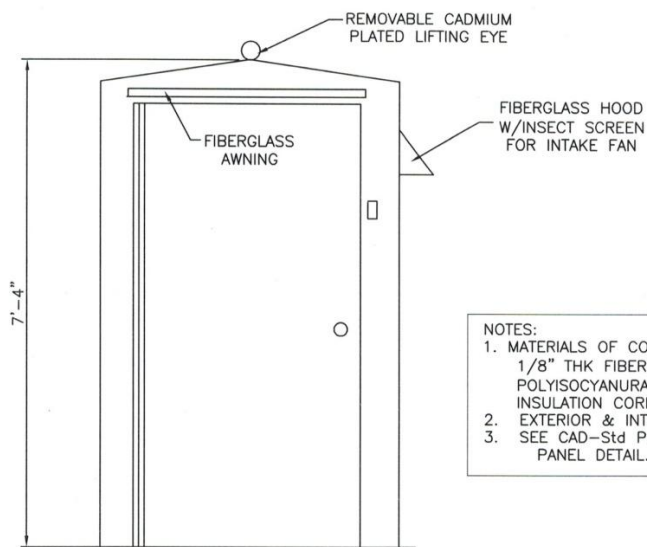
Standard Drawing

Model # GTI-SH-2854

(2'4" x 4'6")



PLAN



ELEVATION

- NOTES:
- MATERIALS OF CONSTRUCTION:
1/8" THK FIBERGLASS SKINS W/1" POLYISOCYANURATE FOAM (R=6.7) INSULATION CORE.
 - EXTERIOR & INTERIOR WHITE GEL COAT
 - SEE CAD-Std Panel FOR ELECTRICAL PANEL DETAIL.